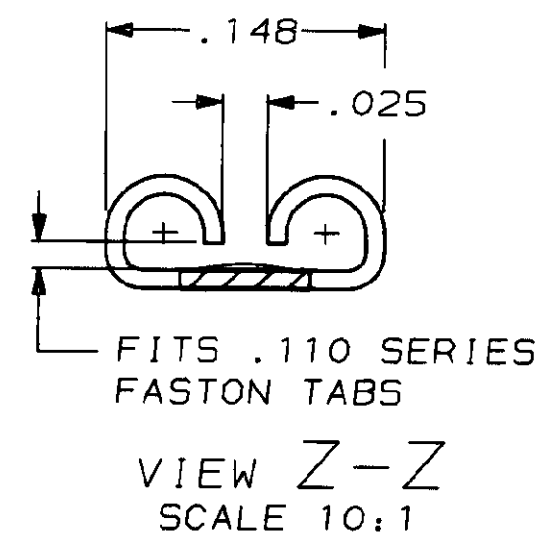
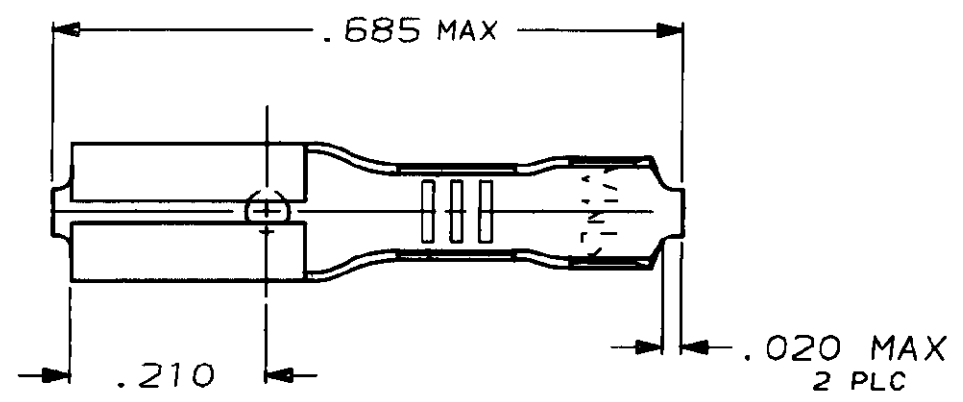


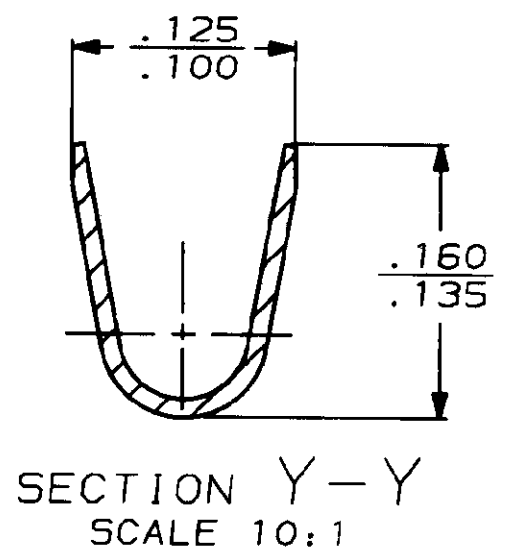
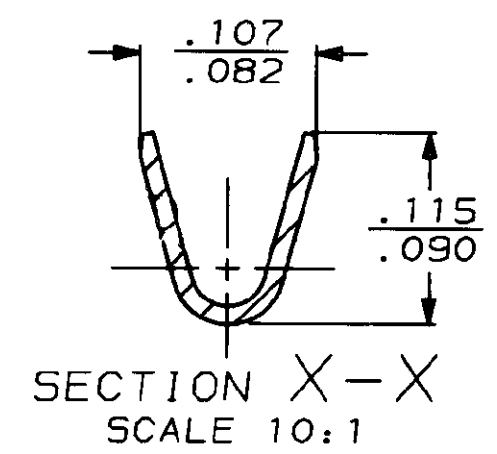
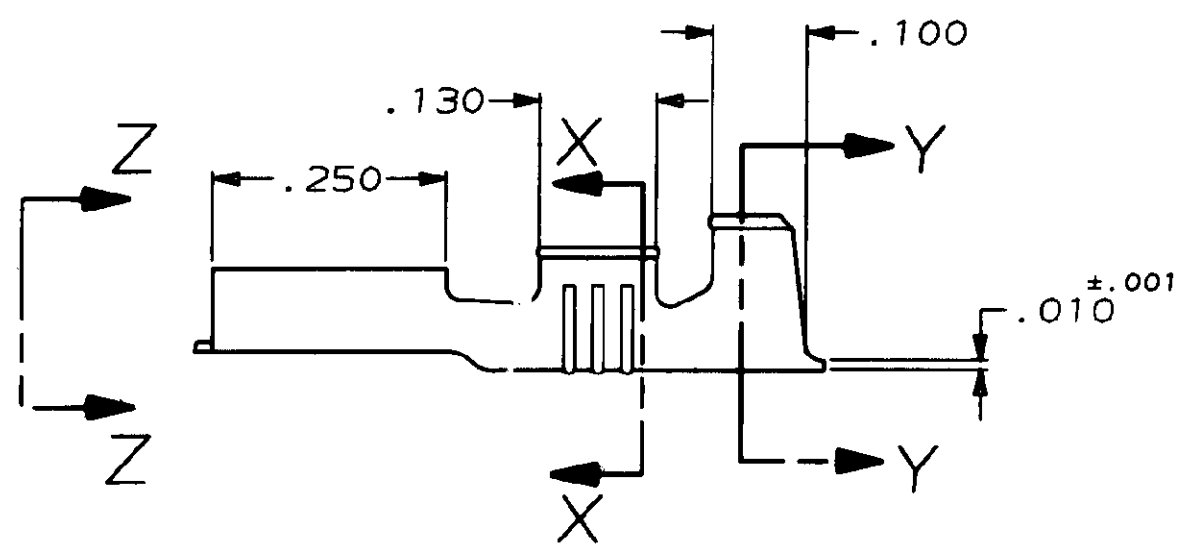
THIS DRAWING IS UNPUBLISHED. RELEASED FOR PUBLICATION, 19
 © COPYRIGHT 19 BY AMP INCORPORATED. ALL INTERNATIONAL RIGHTS RESERVED.

LOC	DIST	P	F	ZONE	LTR	DESCRIPTION	DATE	APPD
AF	50				J	REDRAWN AF-7175	12/20/90	JR/MS

REVISIONS



1 SUPPLIED IN LOOSE PIECE



FINISH	INSUL RANGE	WIRE SIZE	MATING TAB THK ±.001	PART NO
GOLD	.060-.100	22-18 AWG	.020	42470-2
PRE-TIN	.060-.100	22-18 AWG	.020	42470-1

DO NOT SCALE PRINT. UNLESS SPECIFIED DIMENSIONS ARE IN INCHES TOLERANCES ON: 2 PLC DEC ± .001 3 PLC DEC ± .015 ANGLES ± .	DR 12/20/90 JR RUTH CHK 12/20/90 MS FEHER APPD 12/21/90 C MEYERS APPD 12/21/90 D REINER PRODUCT SPEC -	AMP AMP Incorporated Harrisburg, PA 17105-3608 NAME RECEPTACLE, FASTON, .110 SERIES
MATERIAL #4H BRASS	APPLICATION SPEC -	
FINISH SEE TABLE	WEIGHT -	SIZE B CAGE CODE 00779 DRAWING NO 42470 SCALE 5:1 SHEET 1 OF 1